

Truck Stoper

Purpose:

It is ideal for parking spaces for coaches, buses, lorries, larger vans, as well as for freight warehouses, securing docks in logistics centres.

It is installed by means of expansion bolts directly into the surface of the car park. The installation requires no additional preparation of the substrate. Excellent visibility thanks to 3M reflective tape.

Place of production:

Geyer & Hosaja Sp. z o.o.
Ul. Gorliczyńska 157
37-200 Przeworsk

Material:

SBR rubber granulate
PUR resin
Reflective tape 3M
Metal reinforcement for assembly

Dimensions:

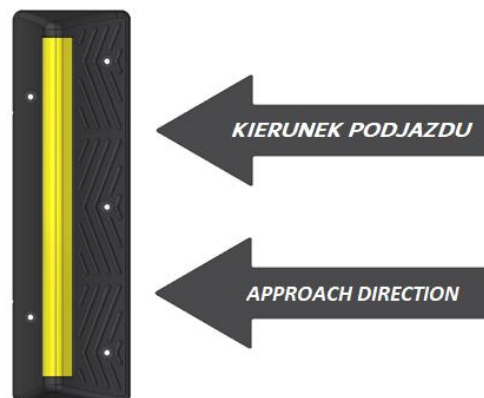
length 1000 mm
width 300 mm
height 150 mm

Weight:

24,5 kg

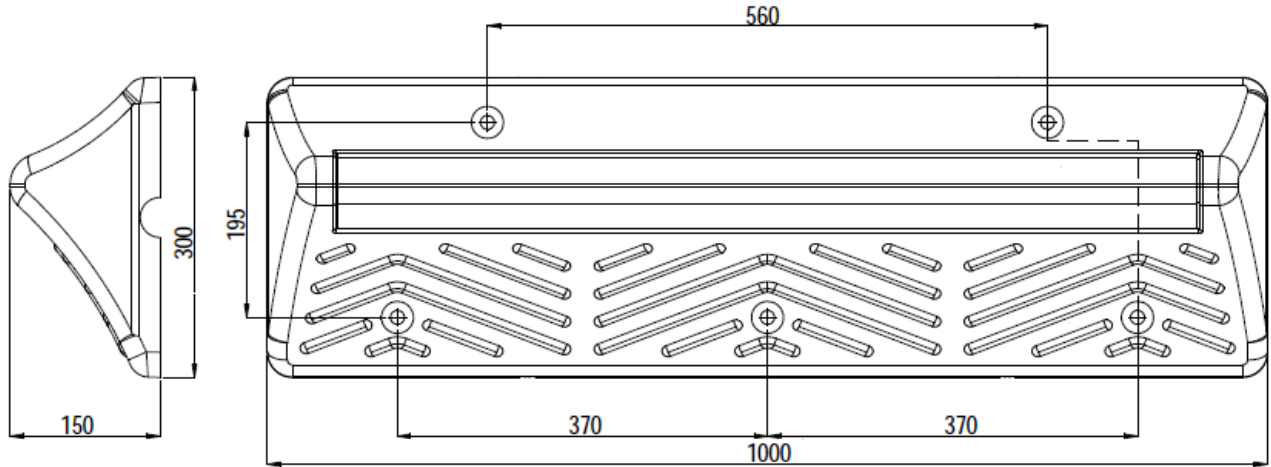
Colour:

black, yellow 3M reflective tape

**Technical parameters:**

Parameters	Value	Unit	Standard / Method
Tensile strength	≥ 1,0	MPa	PN-ISO 37
Hardness	≥ 55	°ShA	PN-EN ISO 868:2005
Tolerance - length, width	± 2	%	of nominal
Tolerance - height	± 2	%	of nominal
Tolerance- weight	± 2	%	of nominal

Technical drawings:

**Packing:**

Packed on a Euro pallet with 35 pieces. Protected by protective film and strapped with tape. Description on the pallet with the product name, quantity, batch number and packing date. On customer's request other way of packing possible

Identification:

Product- on the underside of the product information about the date of production.
Pallet- product name, quantity, pallet identification number, packing date, quality control stamp.

Storage:

The products should be stored on pallets in protective film and protected from external weather conditions.

The products may be stored for a longer period of time only in closed, ventilated rooms without humidity, after removing the protective film. Storage temperature: max 40 °C

Health, safety and fire conditions:

Conditions for storage and use of the product- must meet all requirements for storage and use of rubber materials.